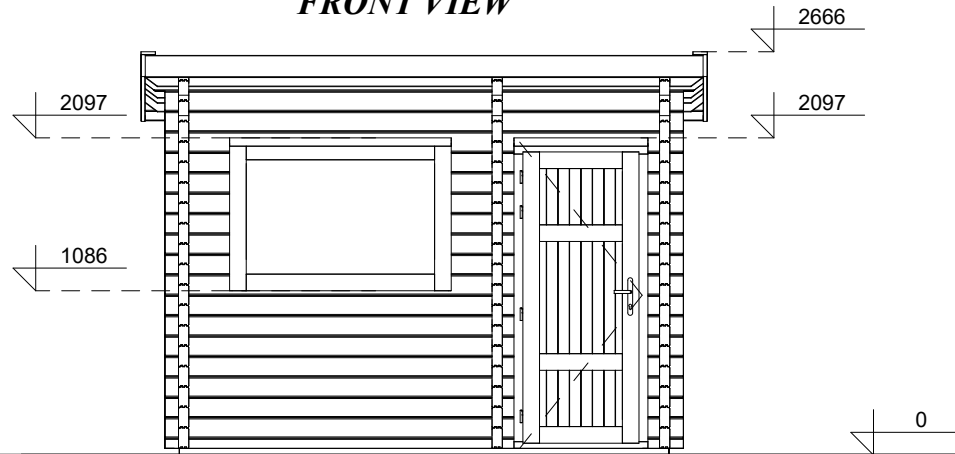
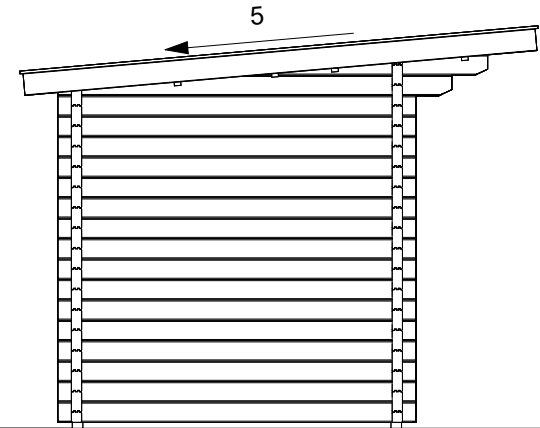


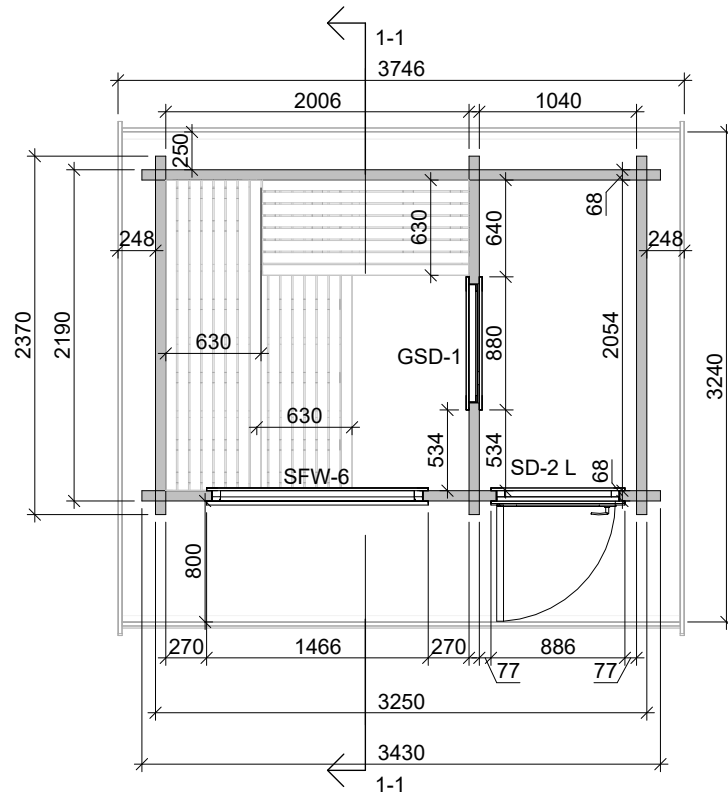
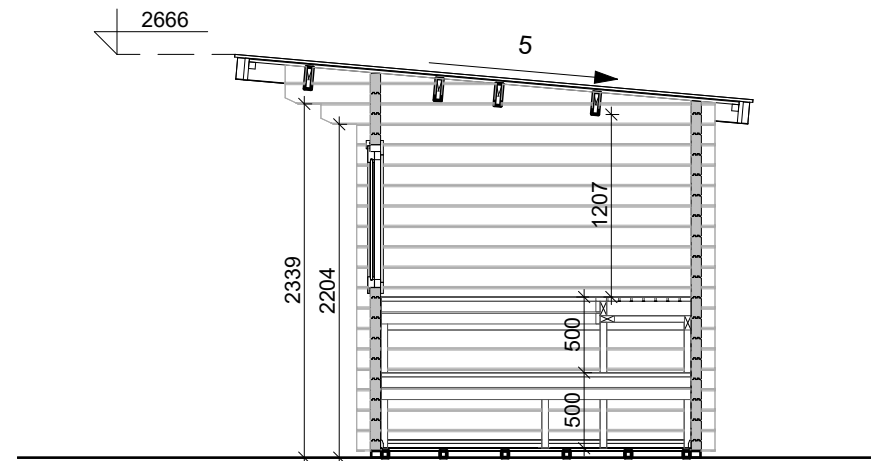
FRONT VIEW



LEFT SIDE VIEW



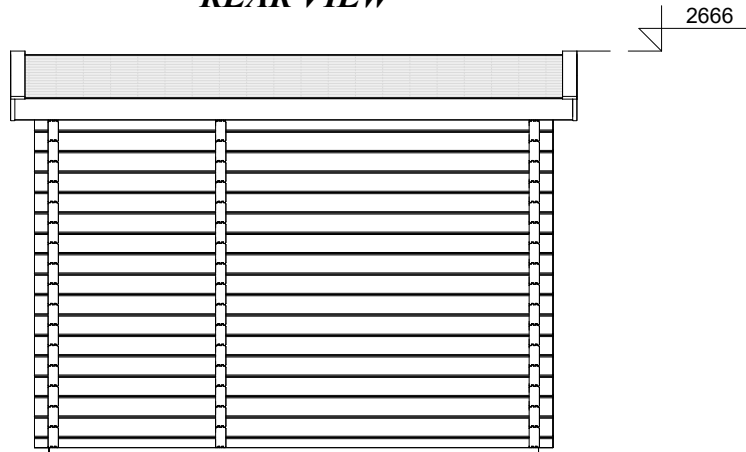
SECTION 1-1



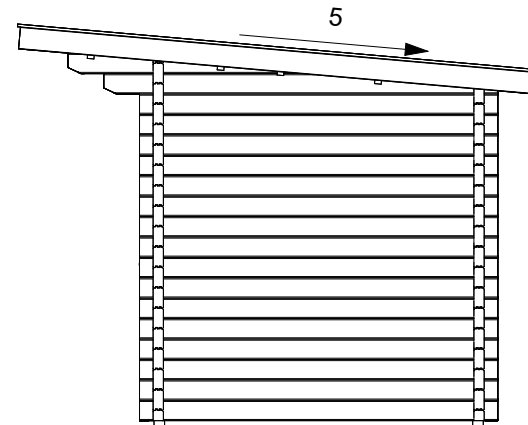
FLOOR PLAN

Project Nr.				
194-04-23VX Log cabin 343x237cm 68mm				
ARCHITECTURE DRAWINGS	Scale	Drawer	Sheet Nr.	Date
	1 : 50	RB	AR - 1	05.05.2023 13:38:39

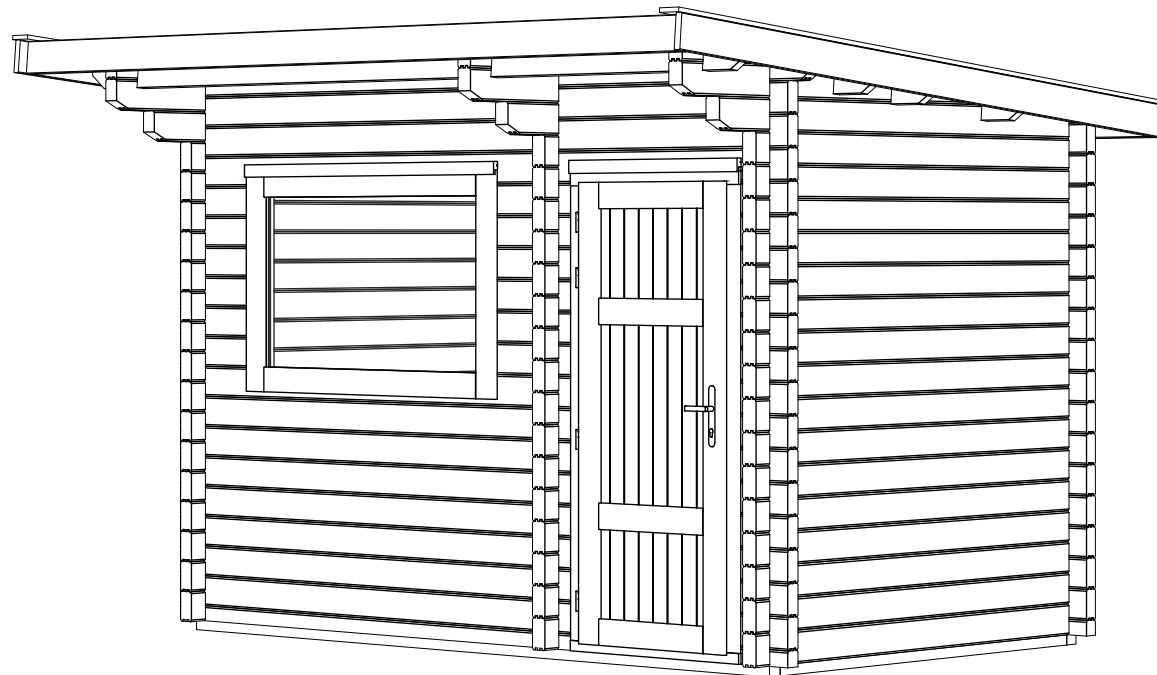
REAR VIEW



RIGHT SIDE VIEW



3D VIEW



FLOOR SCHEDULE

Description	Area
Ground floor 18mm	6 m ²

Project Nr.

194-04-23VX Log cabin 343x237cm 68mm

ARCHITECTURE
DRAWINGS

Scale

1 : 50

Drawer

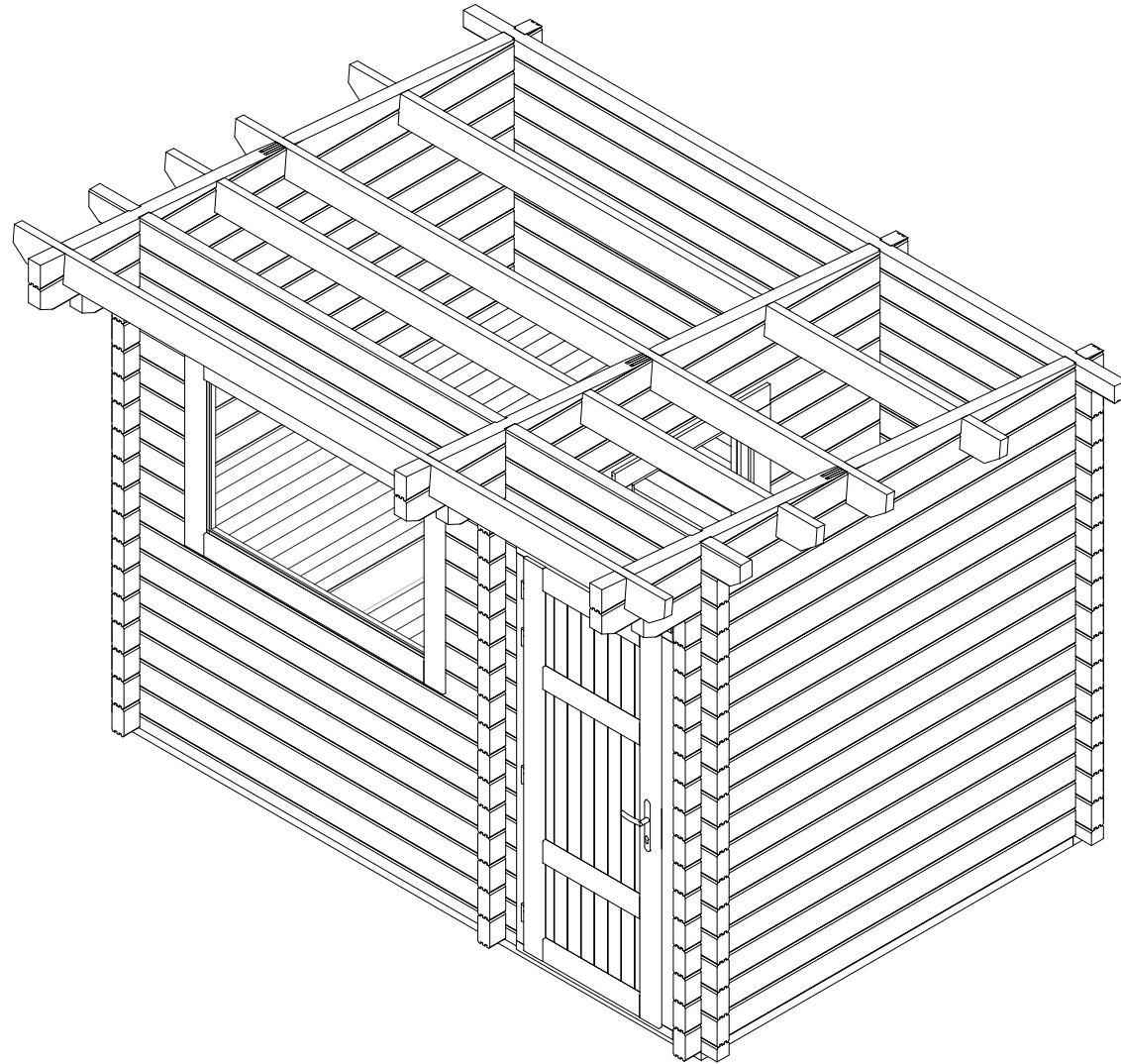
RB

Sheet Nr.

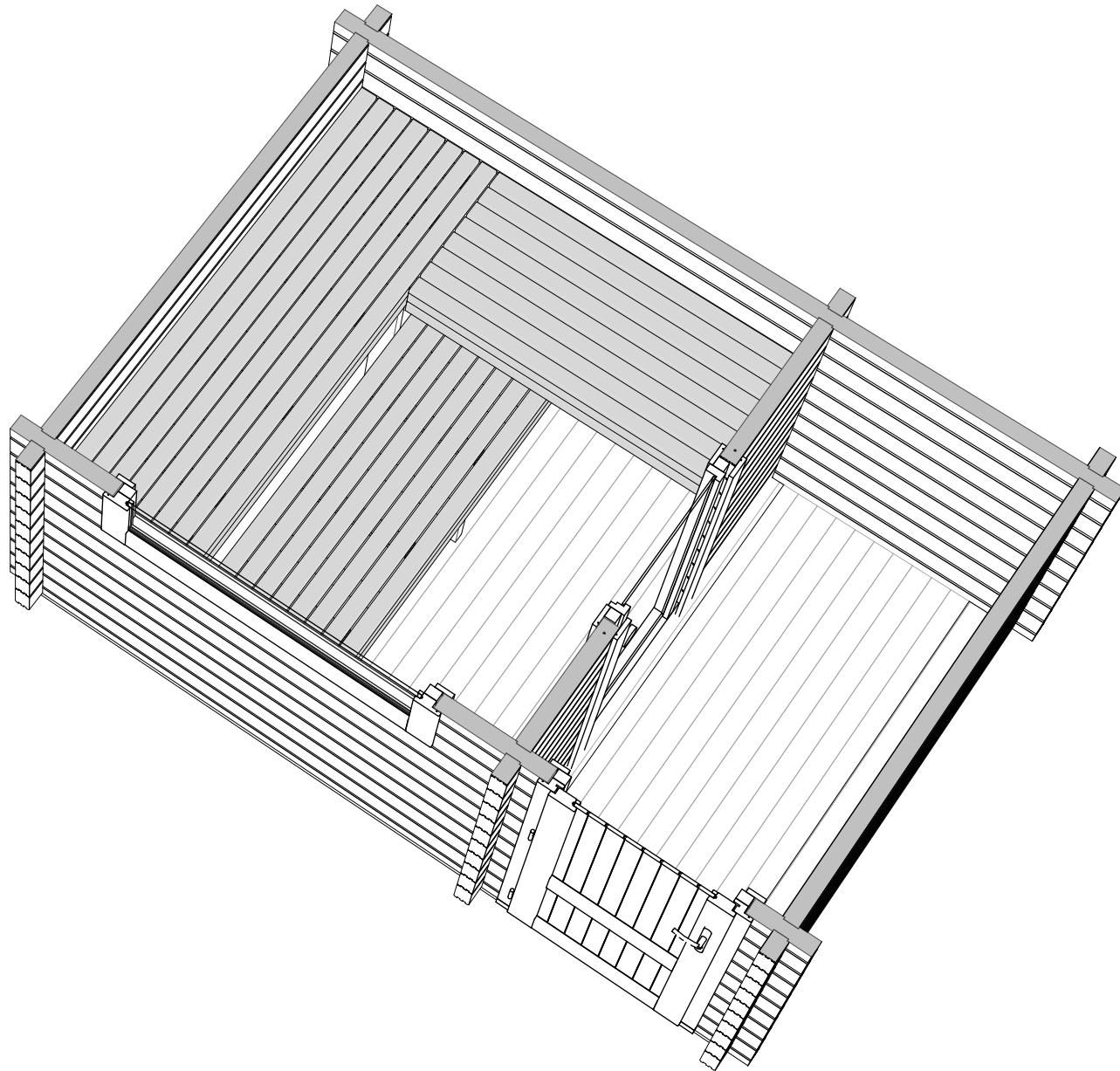
AR - 2

Date

05.05.2023
13:38:40

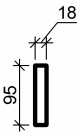
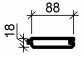
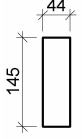
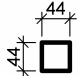
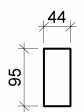
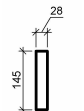


Project Nr.				
194-04-23VX Log cabin 343x237cm 68mm				
ARCHITECTURE DRAWINGS	Scale	Drawer	Sheet Nr.	Date
		RB	AR - 3	05.05.2023 13:38:41

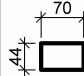
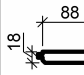
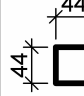
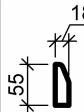


Project Nr.				
194-04-23VX Log cabin 343x237cm 68mm				
ARCHITECTURE DRAWINGS	Scale	Drawer	Sheet Nr.	Date
		RB	AR - 4	05.05.2023 13:38:41

ROOF PART SPECIFICATION

Type Image	Keynote	Description
	CB 18x95	Cover board
	RB 18x88	Roof board 18mm
	RJ 44x145	Roof joist 44x145
	RS 44x44	Roof side board 44x44
	SB 44x95	Sauna bench frame 44x95
	WB 28x145mm	Wind board 28x145mm

FLOOR PART SPECIFICATION

Type Image	Keynote	Description
	BB 44x70	Base beam 44x70
	FB	Floor board 18mm
	FJ 44x44	Floor joist
	FS	Floor skirting

DOOR SCHEDULE

Keynote	Count
GSD-1	1
SD-2 L	1
	2

WINDOW SCHEDULE

Keynote	Count
SFW-6	1
	1

ROOF SCHEDULE

Roof type	Area
Roof finish area	12 m ²
	12 m ²

FLOOR SCHEDULE

Description	Area
Ground floor 18mm	6 m ²

Project Nr.

194-04-23VX Log cabin 343x237cm 68mm

ARCHITECTURE
DRAWINGS

Scale

Drawer

Sheet Nr.

Date

RB

AR - 5

05.05.2023
13:38:42