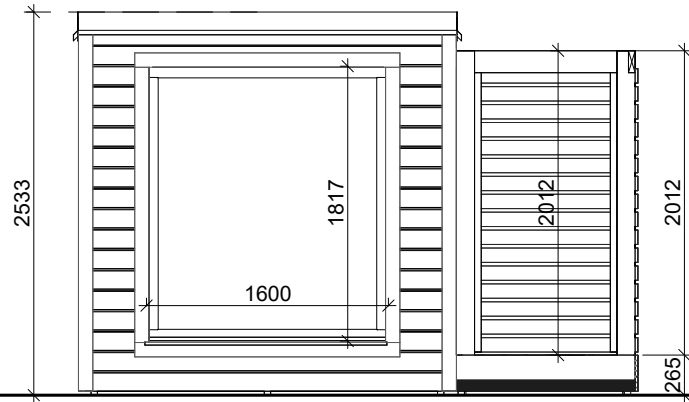
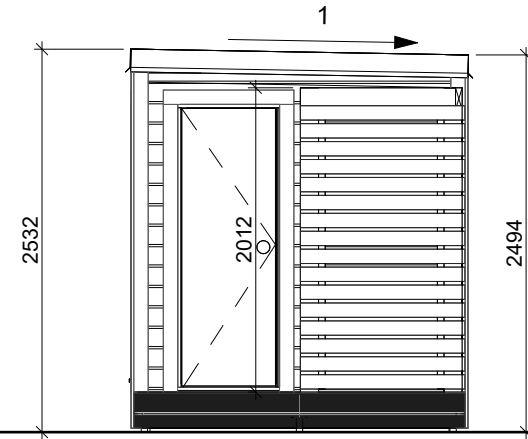


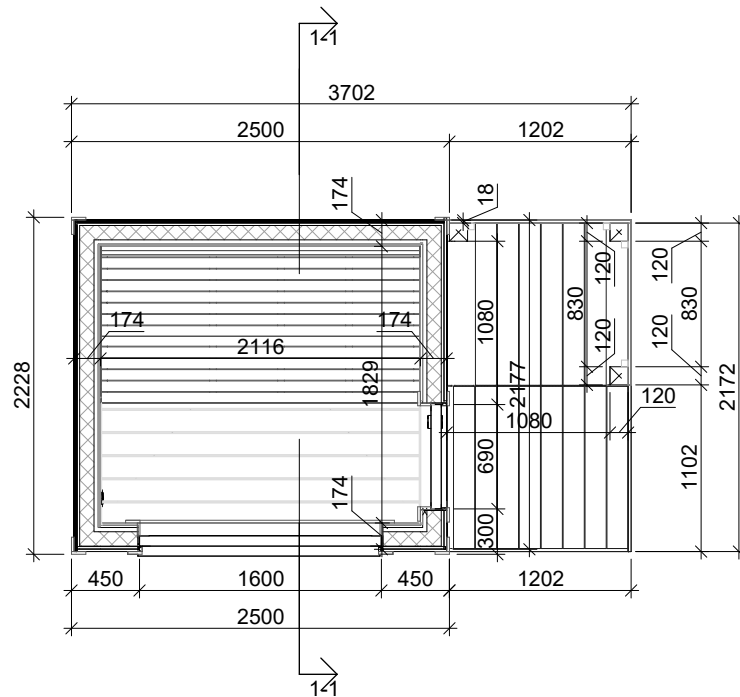
FRONT VIEW



RIGHT SIDE VIEW



SECTION 1-1

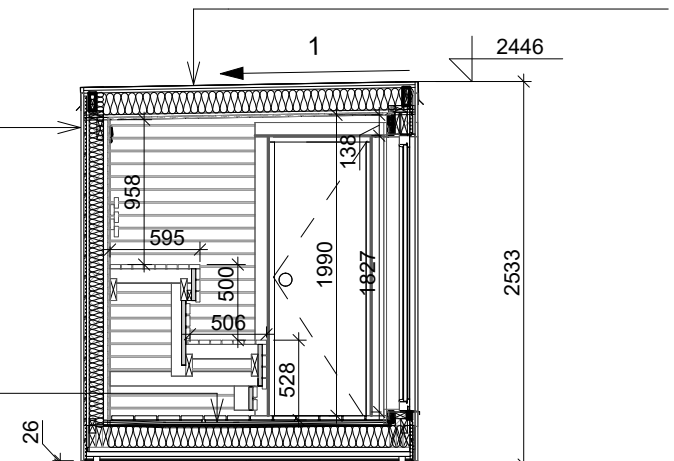


FLOOR PLAN

Pine facade finish boards 18mm;
Lathing 18mm;
Breather membrane;
Wood studs 44x95, cavities filled with insulation;
Vapor retarder with aluminium cover;
Lathing 28mm;
Alder finish boards 15mm;

Pine floor frigs;
PE membrane 4mm thick ;
Floor joists 44x145, cavities filled with insulation;
Breather membrane;
Lathing 28mm;
Rodent protection mesh

PE roof membrane;
Finish bboards 18mm;
Lathing 18mm;
Roof joist 44x145mm, cavities filled with insulation;
Vapor retarder with aluminium cover;
Lathing 18mm;
Alder finish boards 15mm;



Project Nr.

SAUNA 250x223cm + TERRACE 120x217cm

ARCHITECTURAL
DRAWINGS

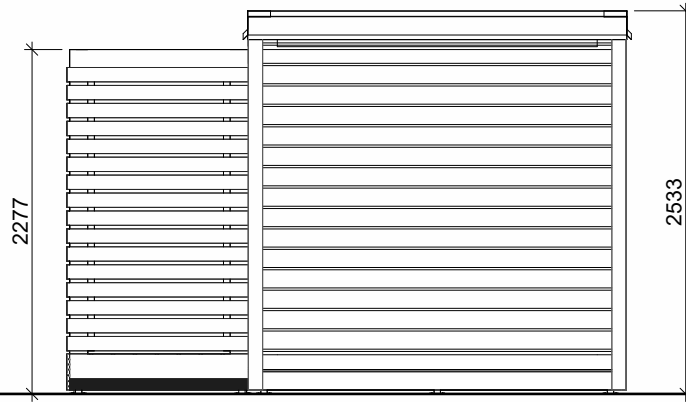
Scale
1 : 50

Drawer
RB

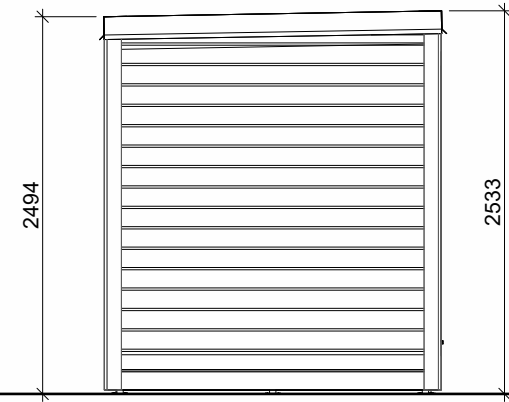
Sheet Nr.
AR - 1

Date
10.03.2023
11:36:42

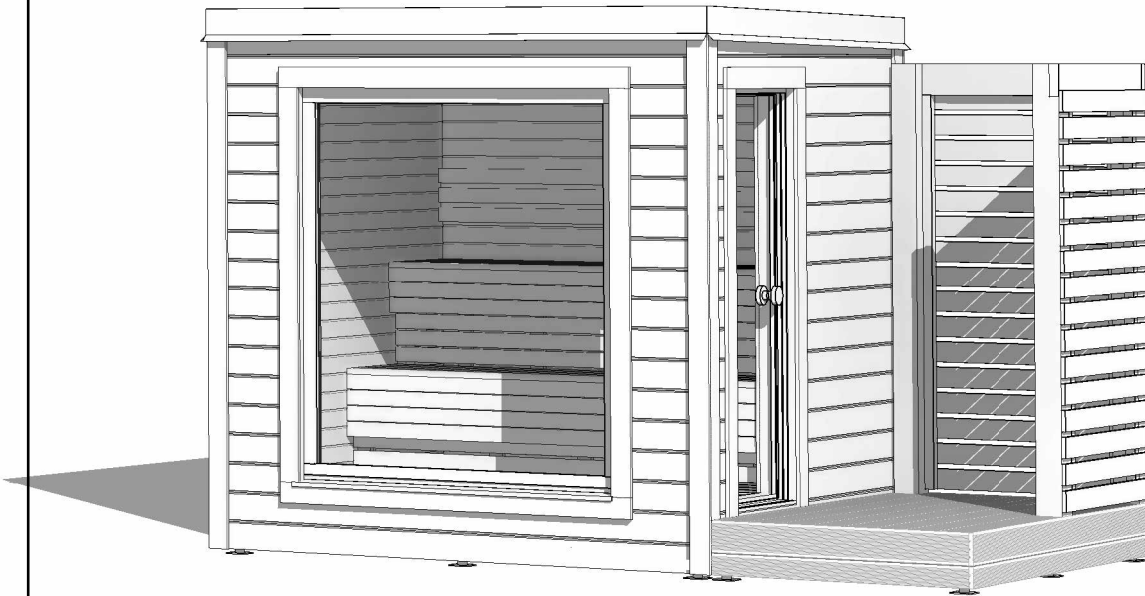
BACK VIEW



LEFT SIDE VIEW



3D VIEW



Project Nr.

SAUNA 250x223cm + TERRACE 120x217cm

ARCHITECTURAL
DRAWINGS

Scale

1 : 50

Drawer

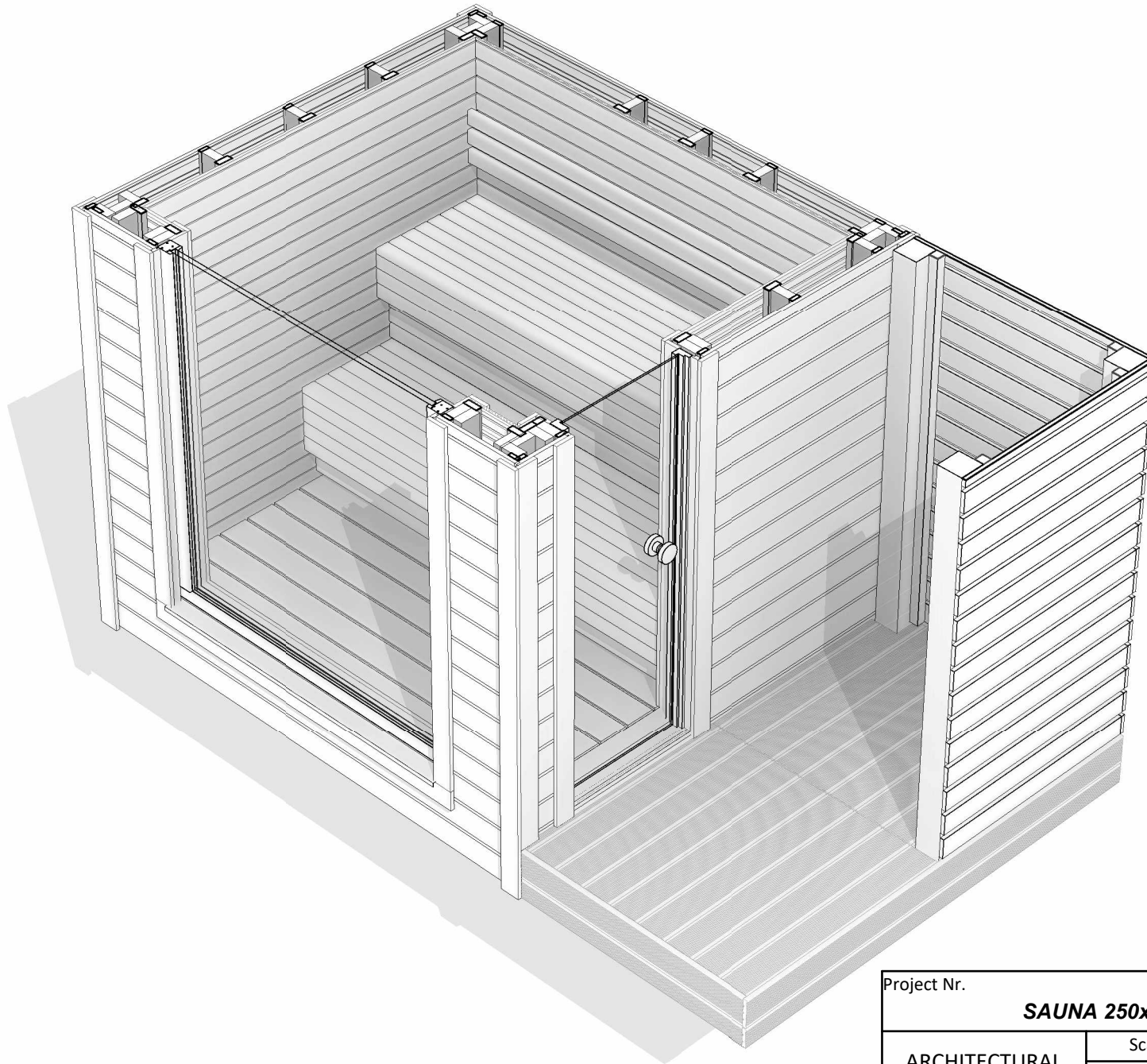
RB

Sheet Nr.

AR - 2

Date

10.03.2023
11:36:45



Project Nr.				
SAUNA 250x223cm + TERRACE 120x217cm				
ARCHITECTURAL DRAWINGS	Scale	Drawer	Sheet Nr.	Date
		RB	AR - 3	10.03.2023 11:36:47